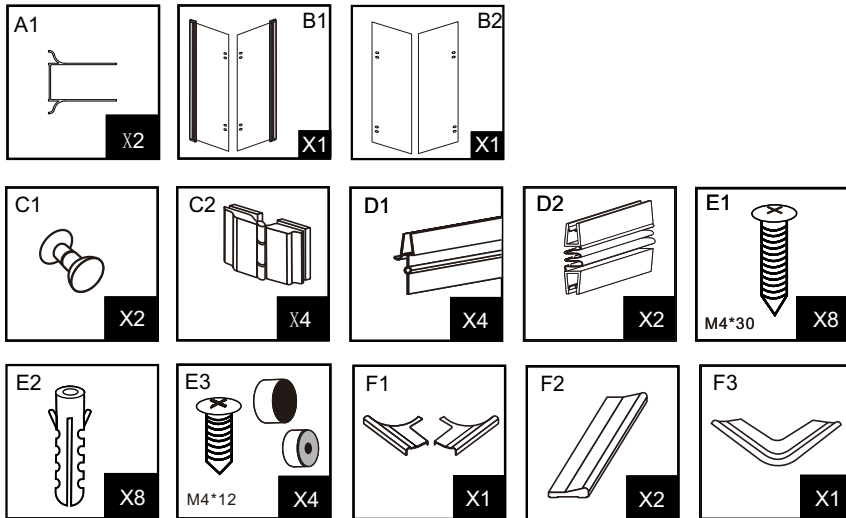
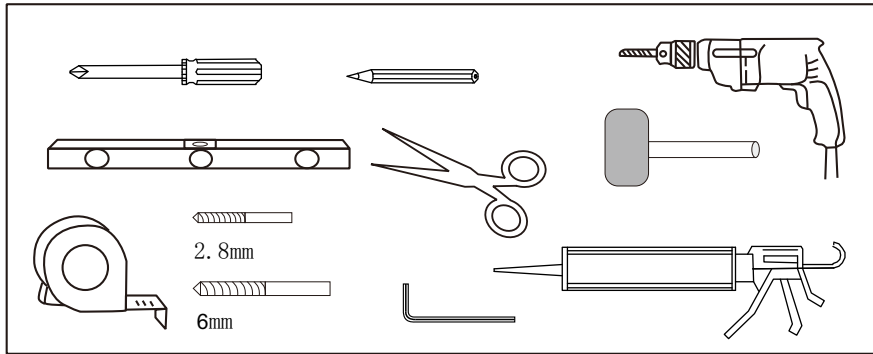


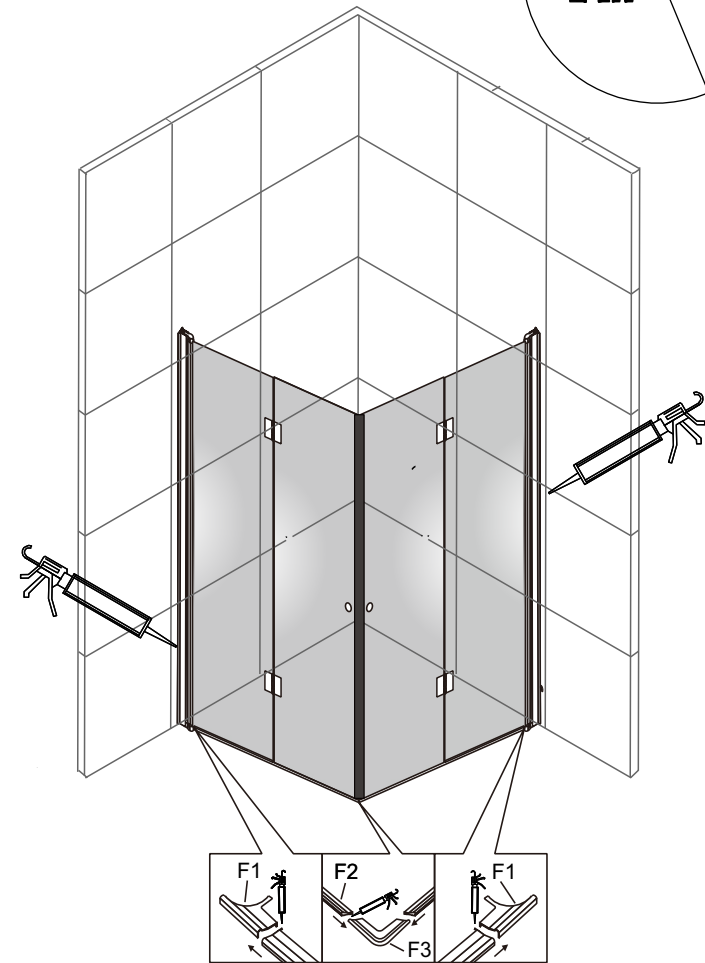
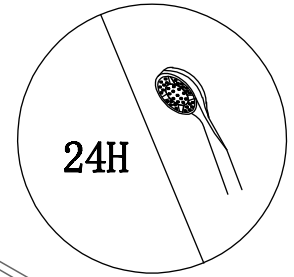
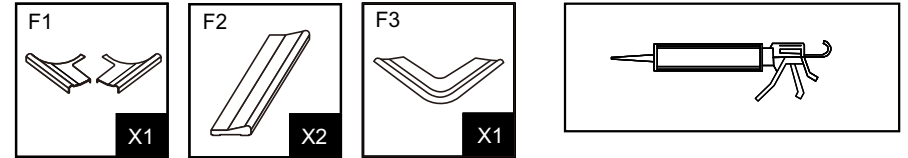


MODEL: 9-3390H

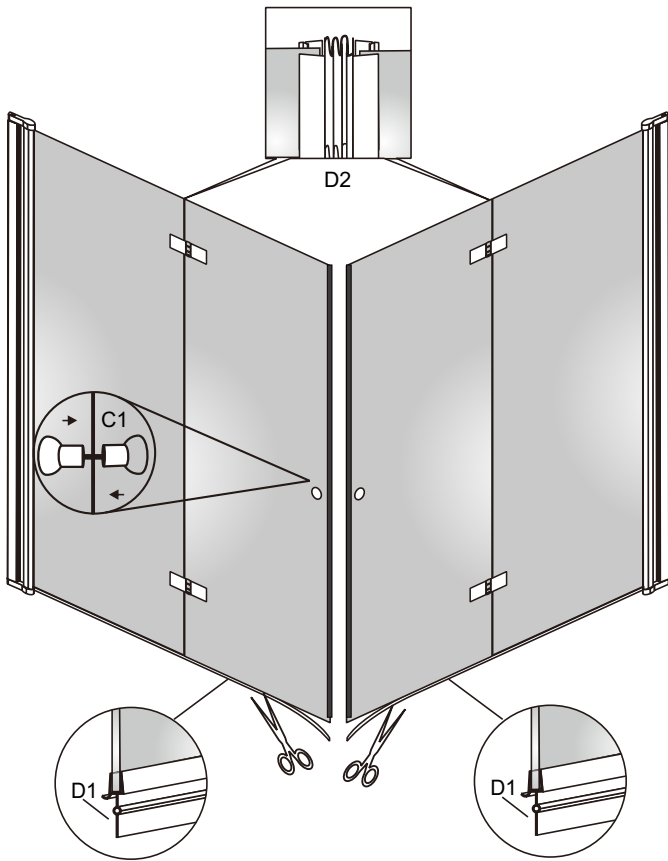
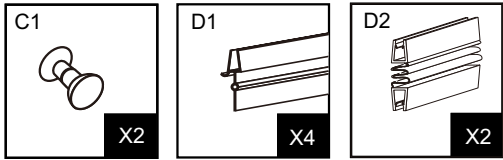
SIZE: 900*900*1950MM



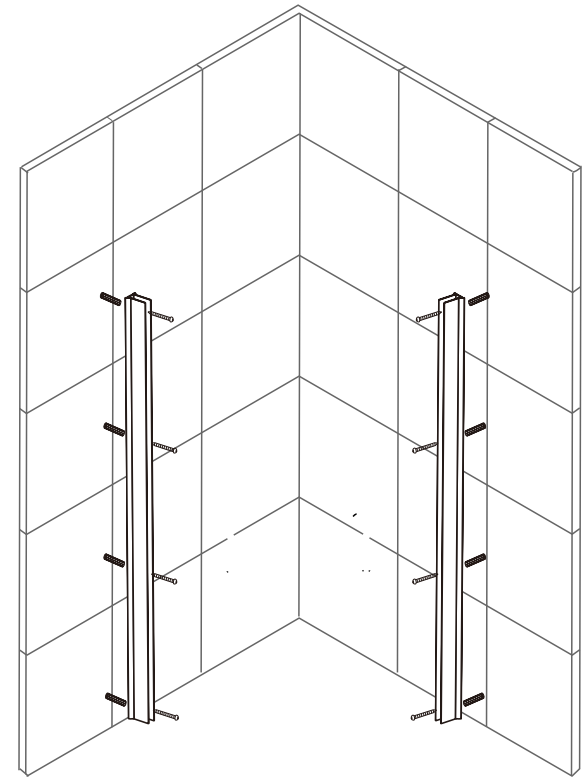
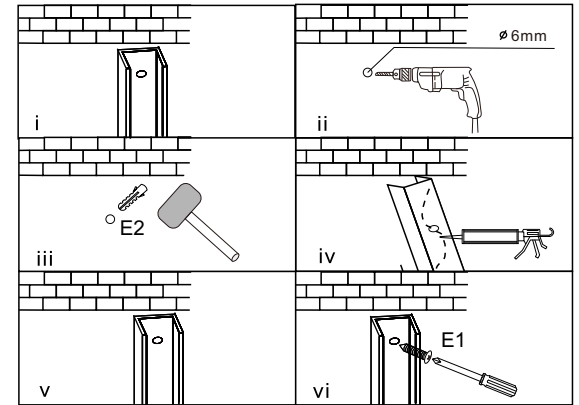
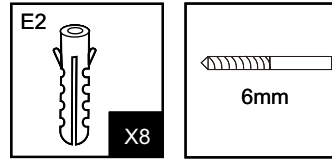
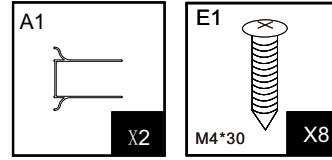
1



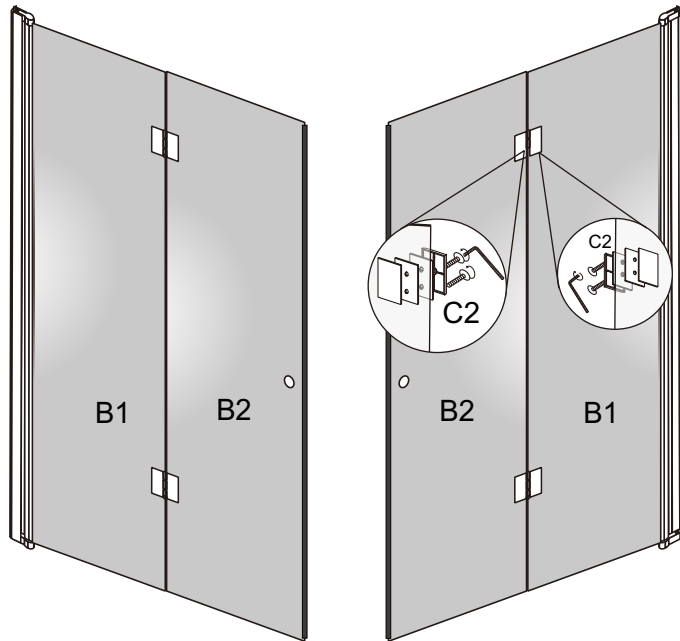
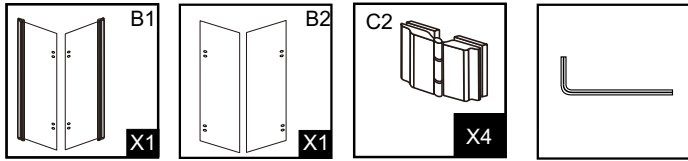
6



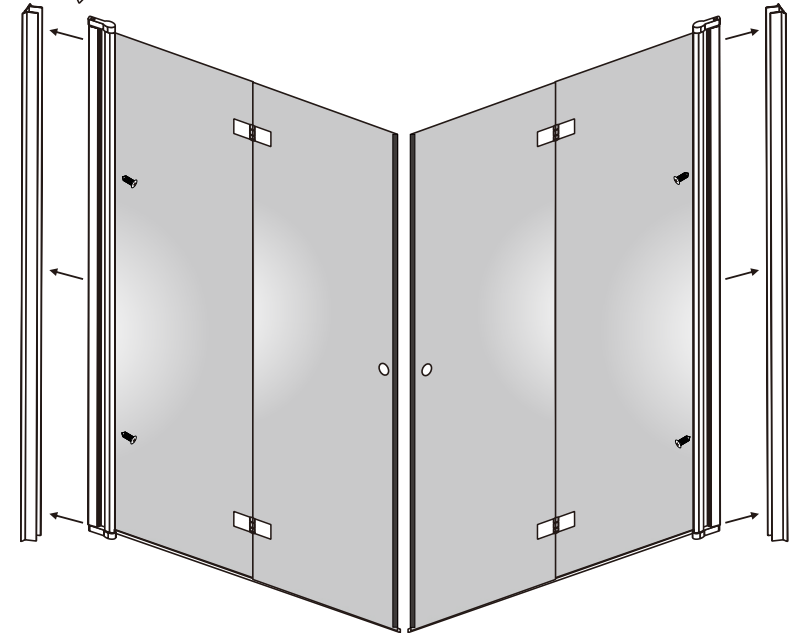
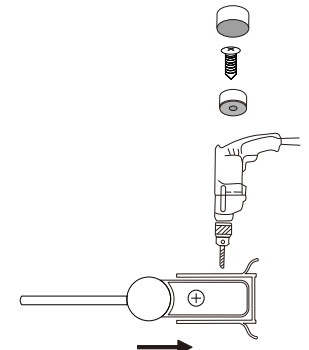
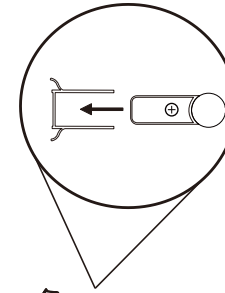
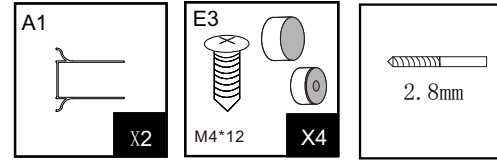
5



2



3



4