
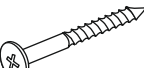








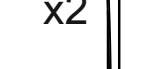








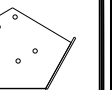
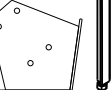

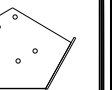
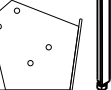

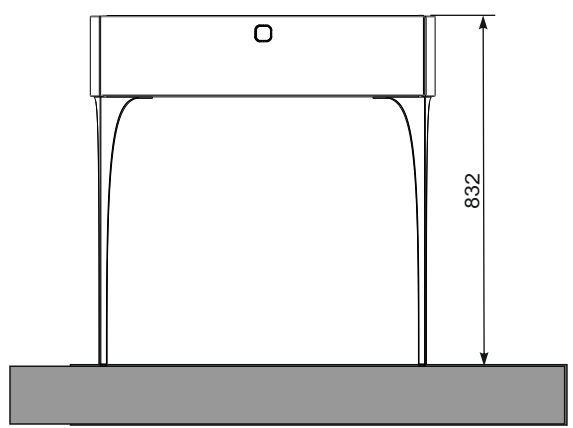


ORISTO LOUIS

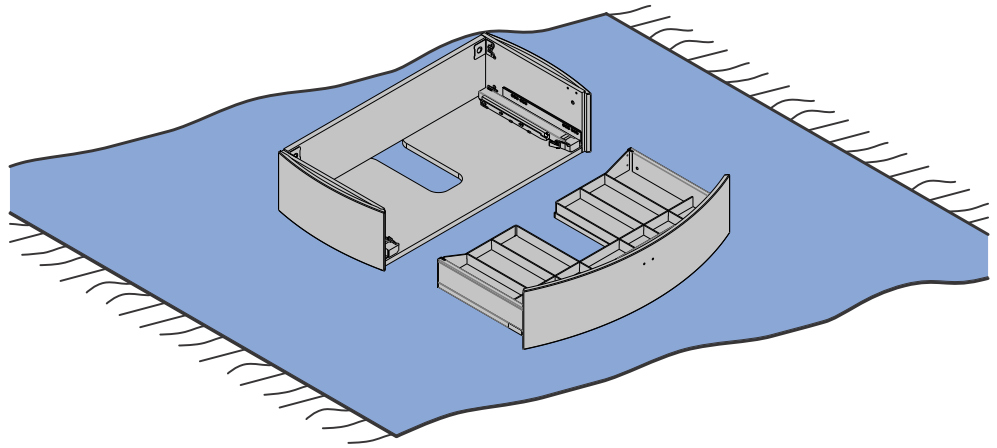
LOUIS OR50-SD1S-82...

	x2		x2		x1		x2		x2		x2		x2		x2		x2		x2		x2		x2		x2		x2		x2		x2		x2		x2		x2		x2		x2		x2		x2		x2		x2		x2		x2		x2		x2		x2		x2		x2		x2		x2		x2		x2		x2		x2		x2		x2		x2		x2		x2		x2		x2		x2		x2		x2		x2		x2		x2		x2		x2		x2		x2		x2		x2		x2		x2		x2		x2		x2		x2		x2		x2		x2		x2		x2		x2		x2		x2		x2		x2		x2		x2		x2		x2		x2		x2		x2		x2		x2		x2		x2		x2		x2		x2		x2		x2		x2		x2		x2		x2		x2		x2		x2		x2		x2		x2		x2		x2		x2		x2		x2		x2		x2		x2		x2		x2		x2		x2		x2		x2		x2		x2		x2		x2		x2		x2		x2		x2		x2		x2		x2		x2		x2		x2		x2		x2		x2		x2		x2		x2		x2		x2		x2		x2		x2		x2		x2		x2		x2		x2		x2		x2		x2		x2		x2		x2		x2		x2		x2		x2		x2		x2		x2		x2		x2		x2		x2		x2		x2		x2		x2		x2		x2		x2		x2		x2		x2		x2		x2		x2		x2		x2		x2		x2		x2		x2		x2		x2		x2		x2		x2		x2		x2		x2		x2		x2		x2		x2		x2		x2		x2		x2		x2		x2		x2		x2		x2		x2		x2		x2		x2		x2		x2		x2		x2		x2		x2		x2		x2		x2		x2		x2		x2		x2		x2		x2		x2		x2		x2		x2		x2		x2		x2		x2		x2		x2		x2		x2		x2		x2		x2		x2		x2		x2		x2		x2		x2		x2		x2		x2		x2		x2		x2		x2		x2		x2		x2		x2		x2		x2		x2		x2		x2		x2		x2		x2		x2		x2		x2		x2		x2		x2		x2		x2		x2		x2		x2		x2		x2		x2
---	----	---	----	---	----	---	----	---	----	---	----	---	----	---	----	---	----	---	----	---	----	---	----	---	----	---	----	---	----	---	----	---	----	---	----	---	----	---	----	---	----	---	----	---	----	---	----	---	----	---	----	---	----	---	----	---	----	---	----	---	----	---	----	---	----	---	----	---	----	---	----	---	----	---	----	---	----	---	----	---	----	---	----	---	----	---	----	---	----	---	----	---	----	---	----	---	----	---	----	---	----	---	----	---	----	---	----	---	----	---	----	---	----	---	----	---	----	---	----	---	----	---	----	---	----	---	----	---	----	---	----	---	----	---	----	---	----	---	----	---	----	---	----	---	----	---	----	---	----	---	----	---	----	---	----	---	----	---	----	---	----	---	----	---	----	---	----	---	----	---	----	---	----	---	----	---	----	---	----	---	----	---	----	---	----	---	----	---	----	---	----	---	----	---	----	---	----	---	----	---	----	---	----	---	----	---	----	---	----	---	----	---	----	---	----	---	----	---	----	---	----	---	----	---	----	---	----	---	----	--	----	--	----	--	----	--	----	--	----	--	----	--	----	--	----	--	----	--	----	--	----	--	----	--	----	--	----	--	----	--	----	--	----	--	----	--	----	--	----	--	----	--	----	--	----	--	----	--	----	--	----	--	----	--	----	--	----	--	----	--	----	--	----	--	----	--	----	--	----	--	----	--	----	--	----	--	----	--	----	--	----	--	----	--	----	--	----	--	----	--	----	--	----	--	----	--	----	--	----	--	----	--	----	--	----	--	----	--	----	--	----	--	----	--	----	--	----	--	----	--	----	--	----	--	----	--	----	--	----	--	----	--	----	--	----	--	----	--	----	--	----	--	----	--	----	--	----	--	----	--	----	--	----	--	----	--	----	--	----	--	----	--	----	--	----	--	----	--	----	--	----	--	----	--	----	--	----	--	----	--	----	--	----	--	----	--	----	--	----	--	----	--	----	--	----	--	----	--	----	--	----	--	----	--	----	--	----	--	----	--	----	--	----	--	----	--	----	--	----	--	----	--	----	--	----	--	----	--	----	--	----	--	----	--	----	--	----	--	----	--	----	--	----	--	----	--	----	--	----	--	----	--	----	--	----	--	----	--	----	--	----	--	----	--	----	--	----	--	----	--	----	--	----	--	----	--	----	--	----	--	----	--	----	--	----	--	----	--	----	--	----	--	----	--	----	--	----	--	----	--	----	--	----	--	----	--	----	--	----	--	----	--	----	--	----

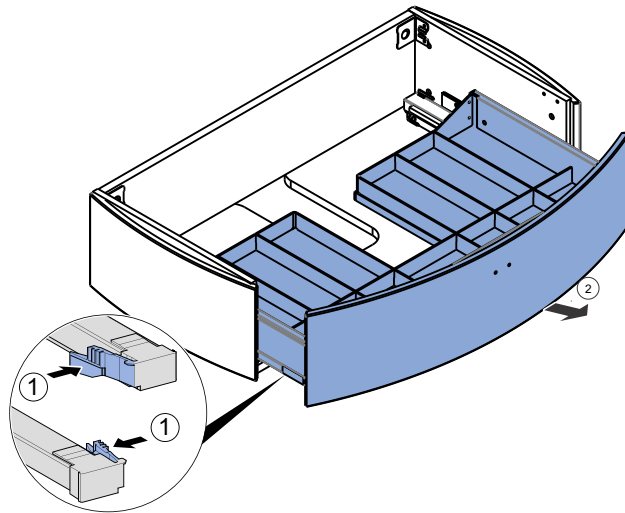
	x2		x2		x16
	x2		x2		x16
	x2		x2		x1



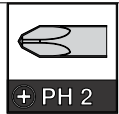
i



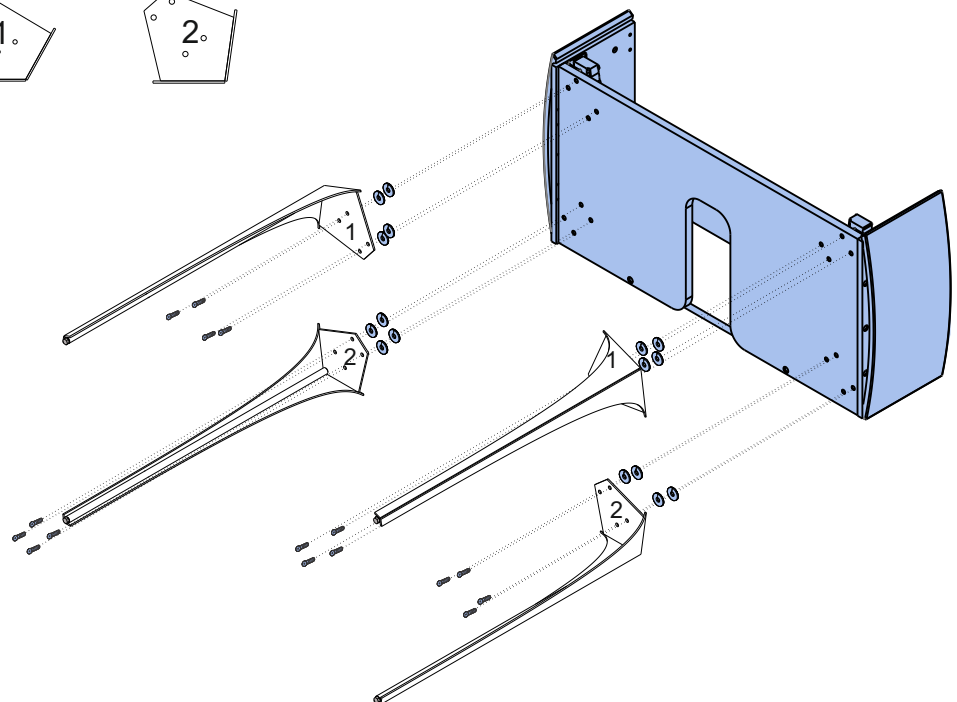
1



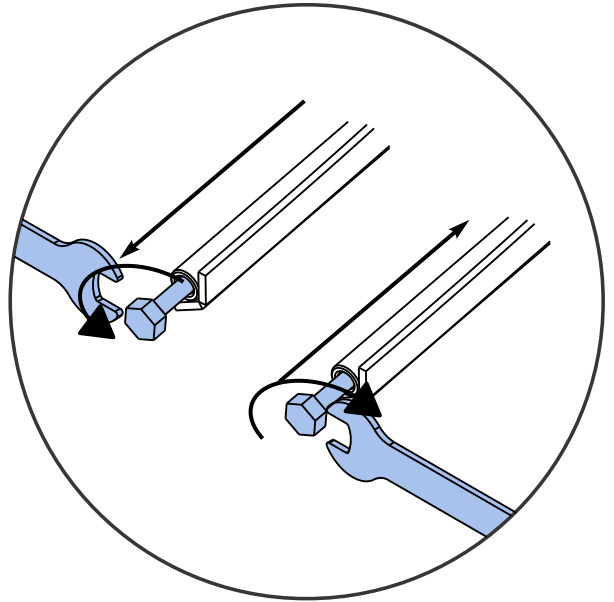
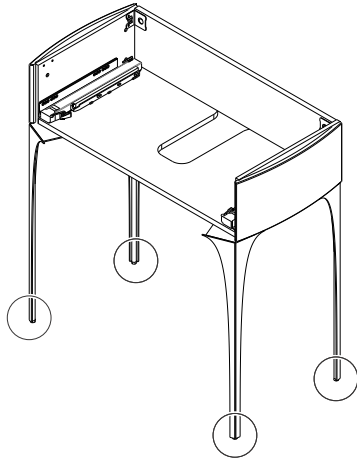
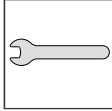
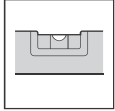
2



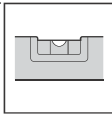
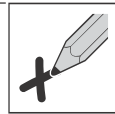
+ PH 2



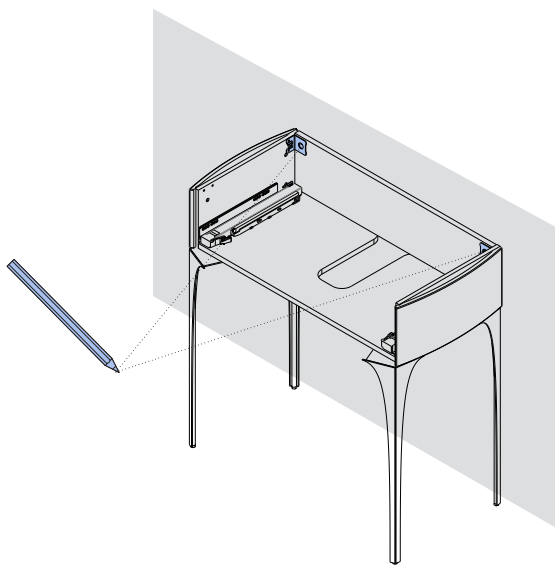
3



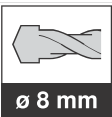
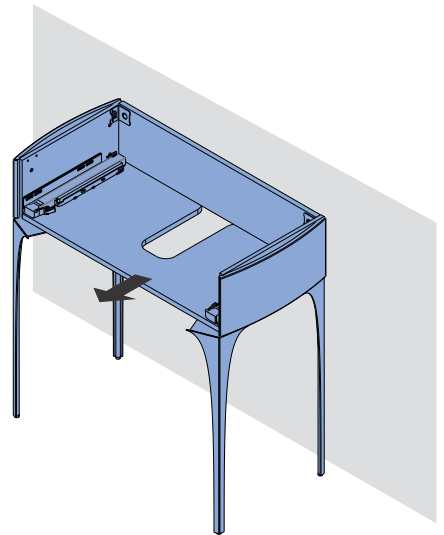
4



1

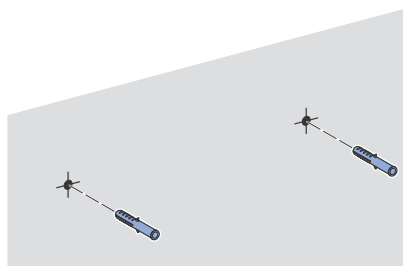


2

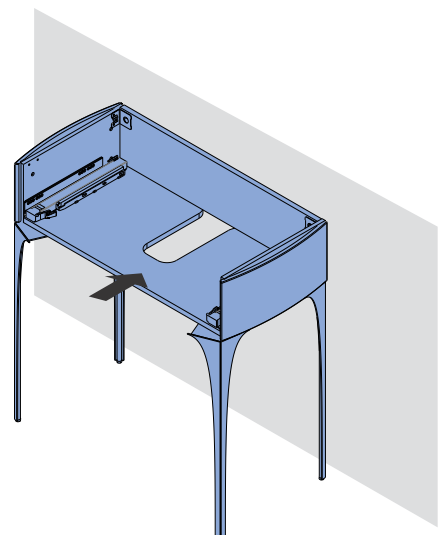


ø 8 mm

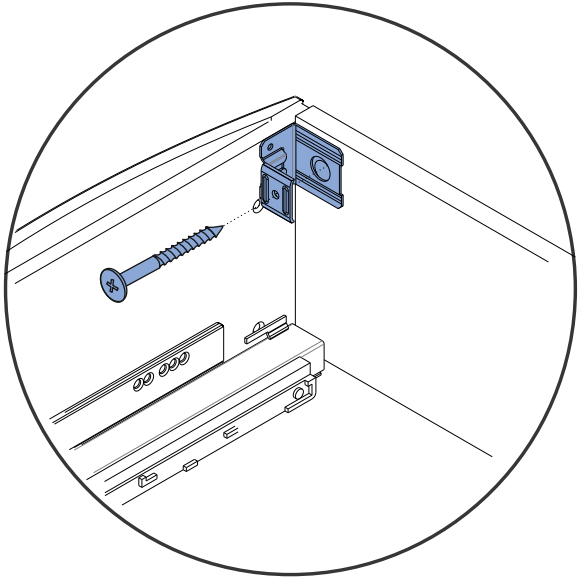
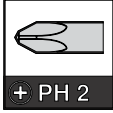
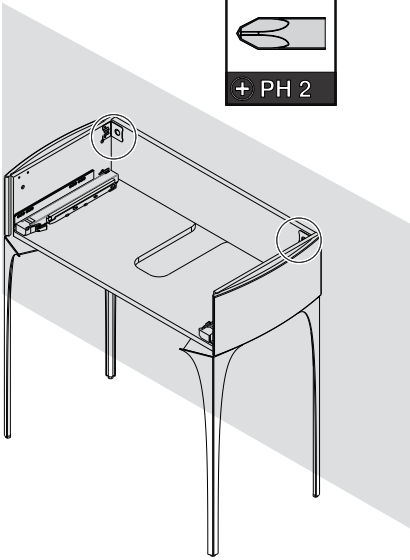
3



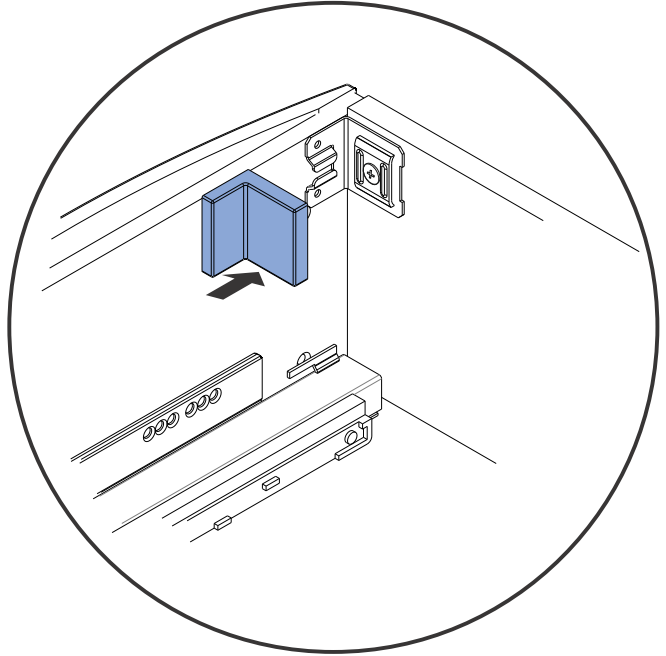
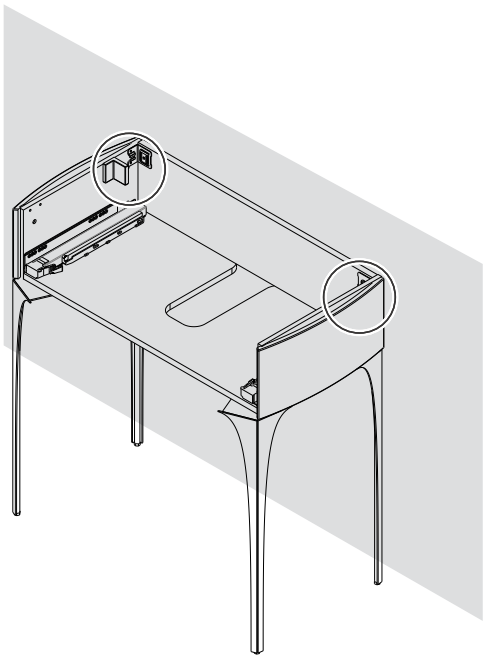
4



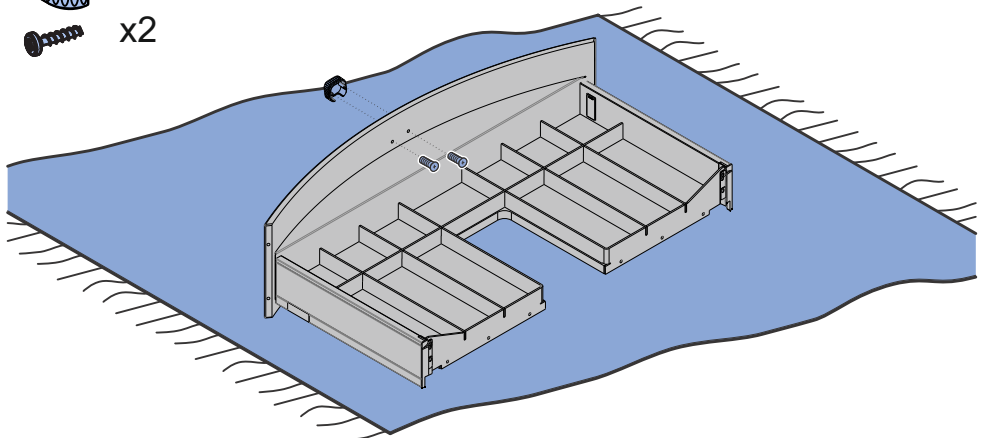
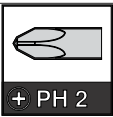
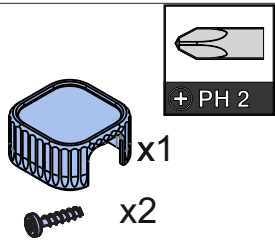
5



6

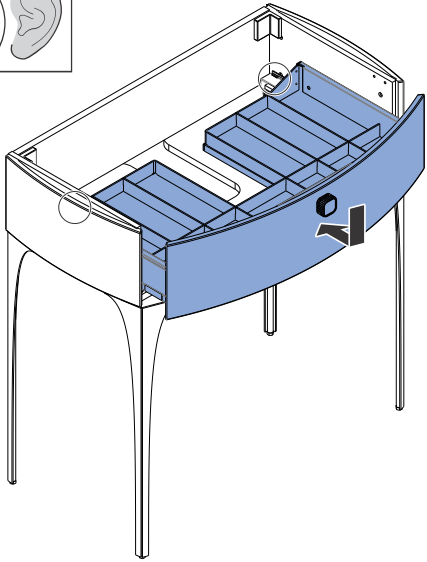


5

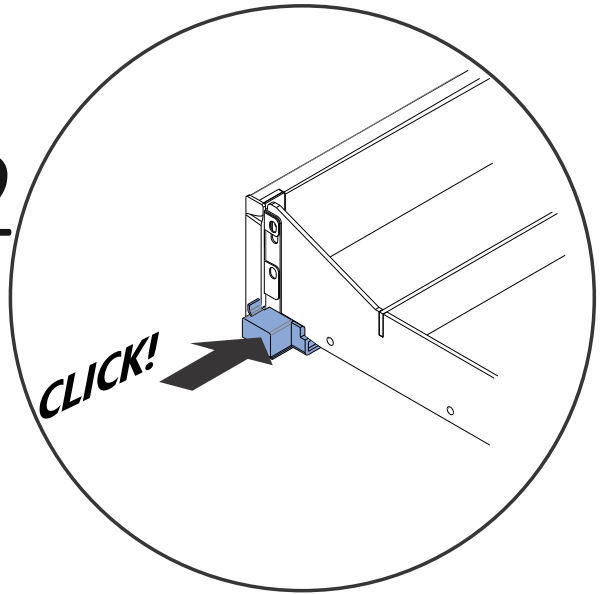


6 

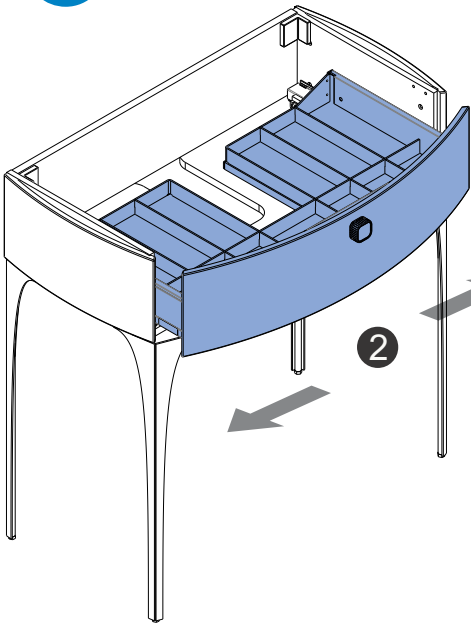
1



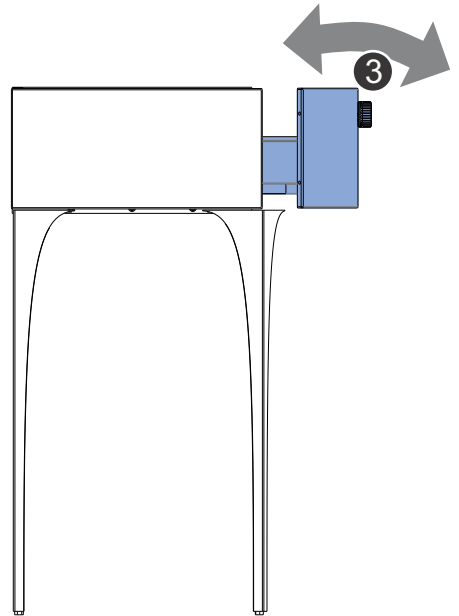
2



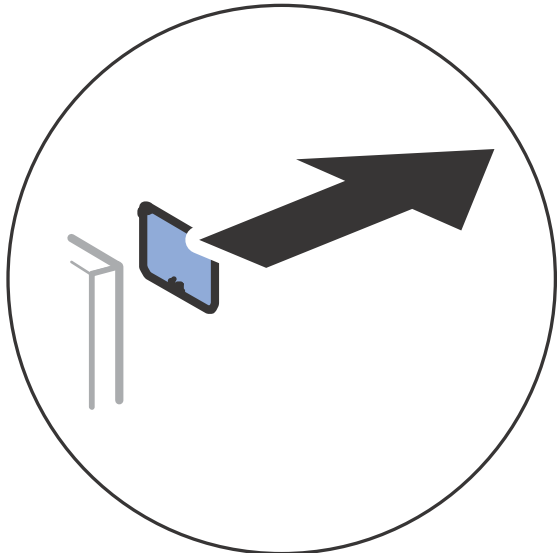
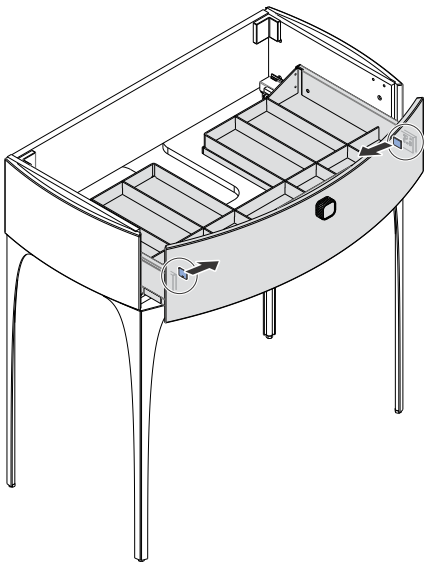
7 



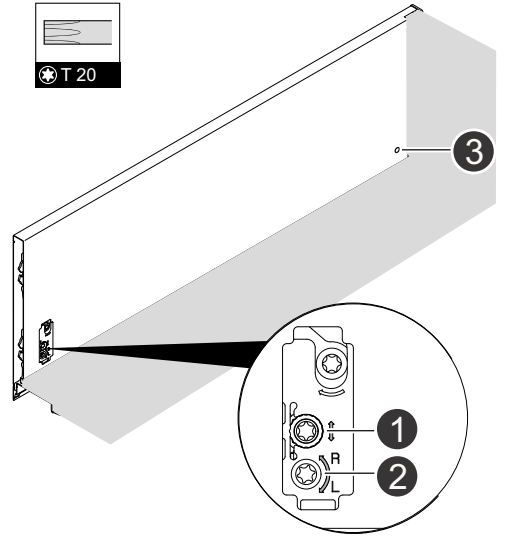
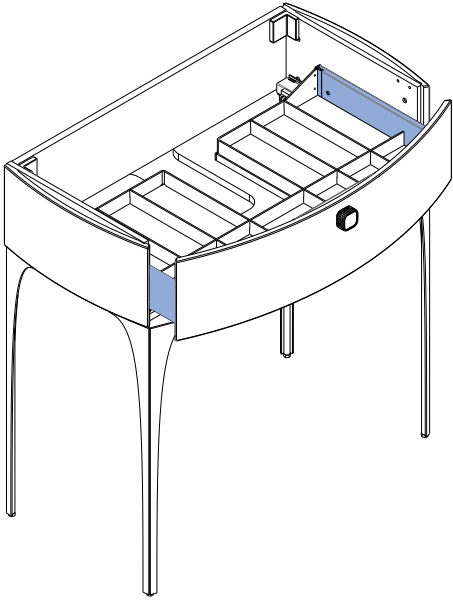
1



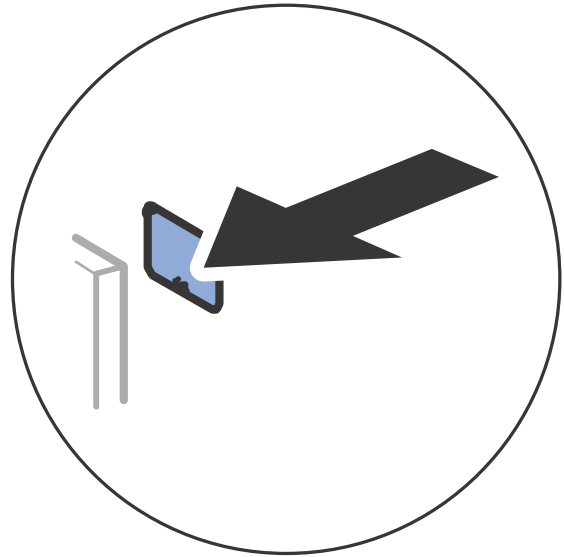
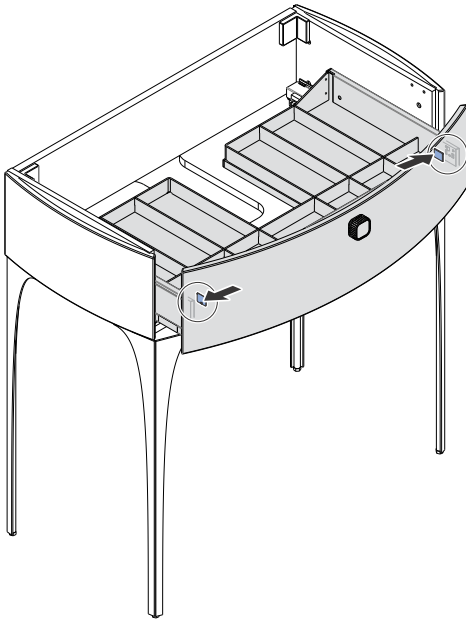
1



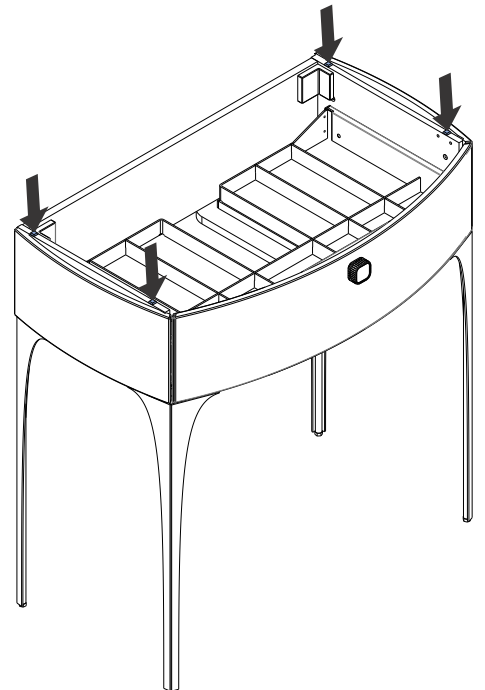
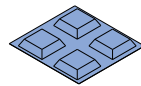
2



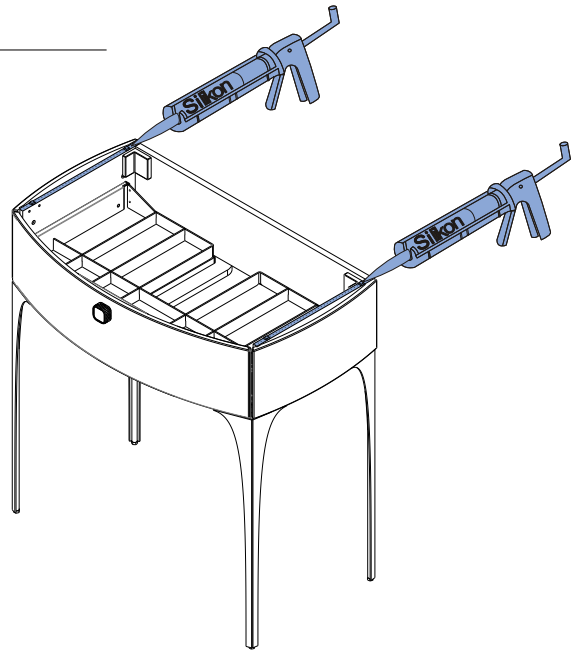
3



8

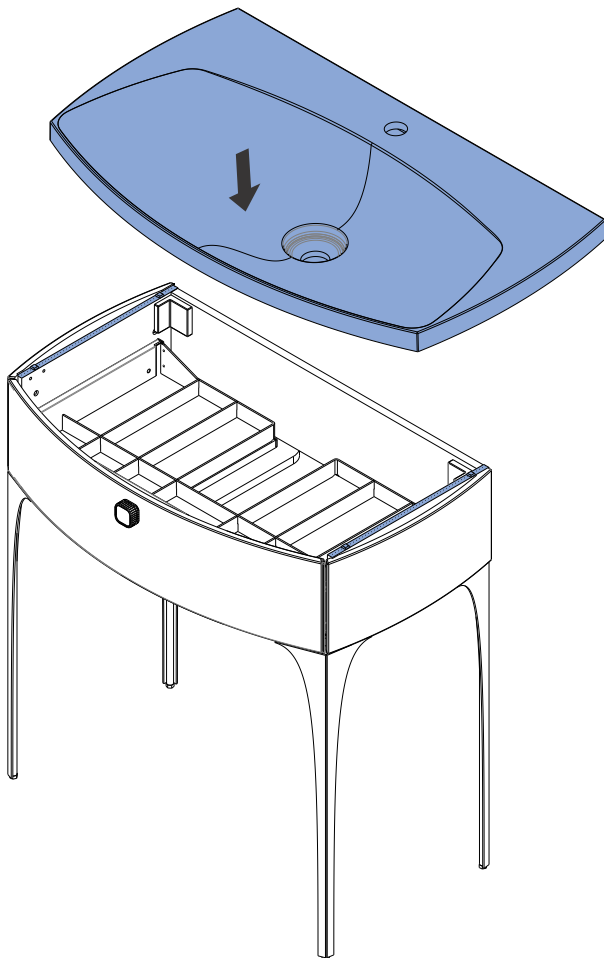


9



10

1



2

